

A

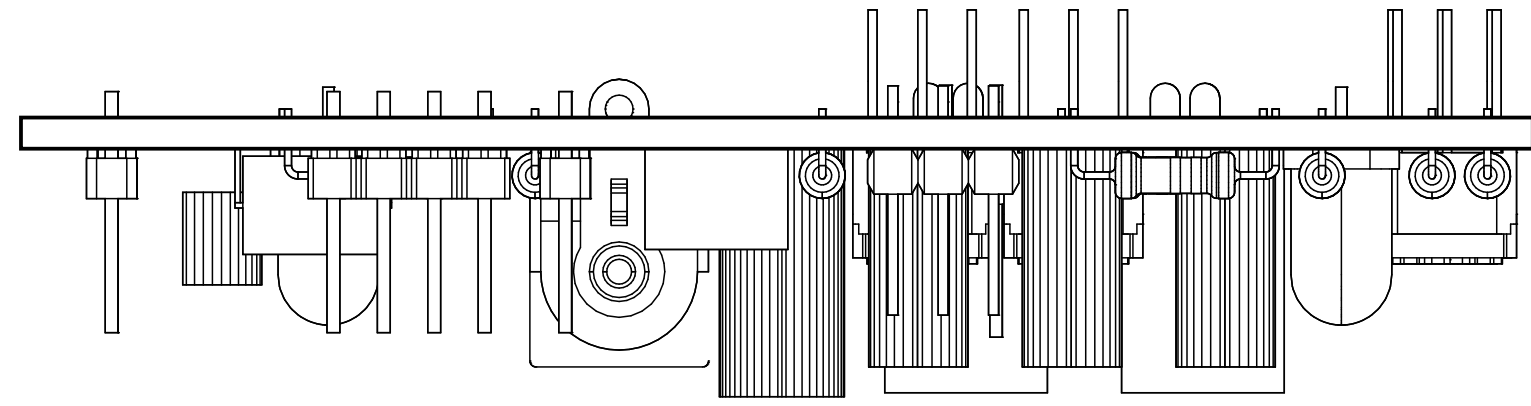
B

C

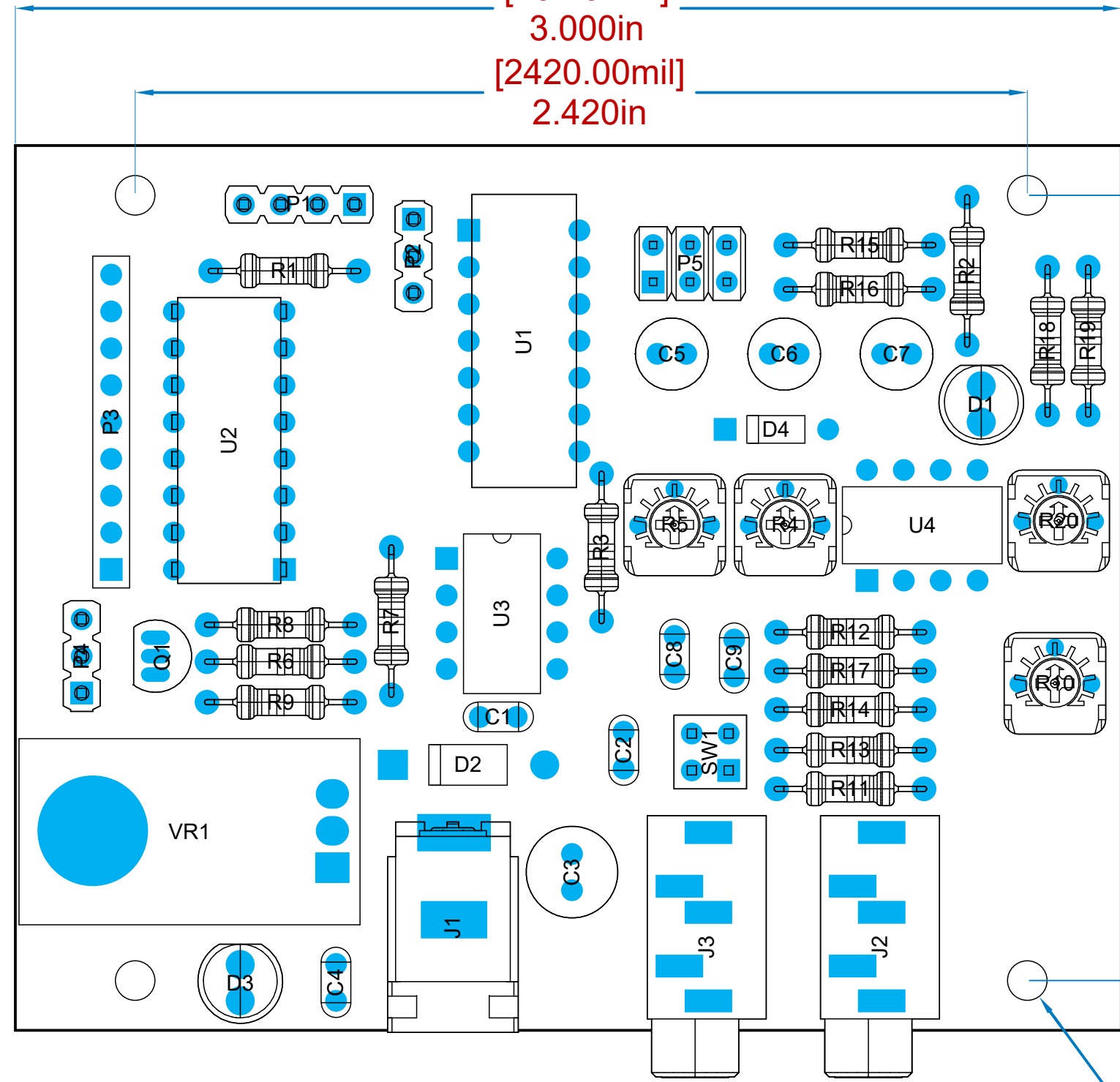
D

E

F

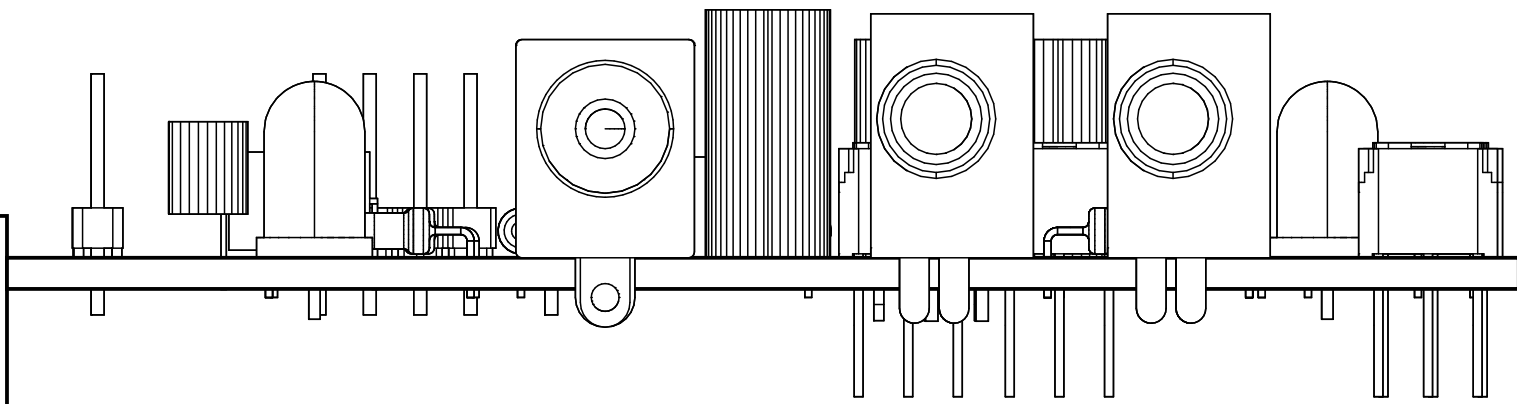
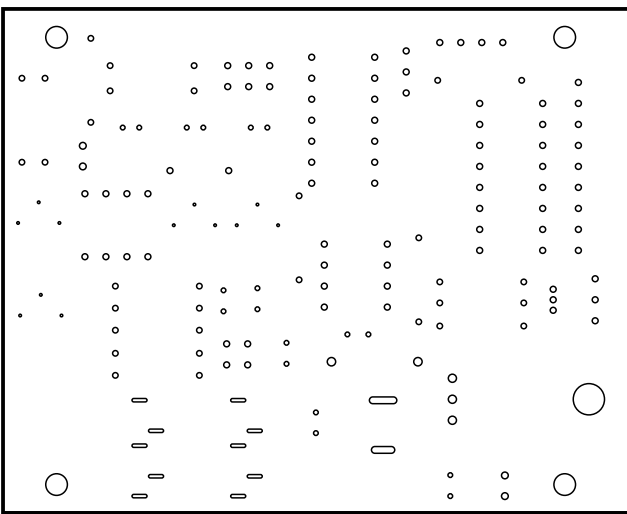
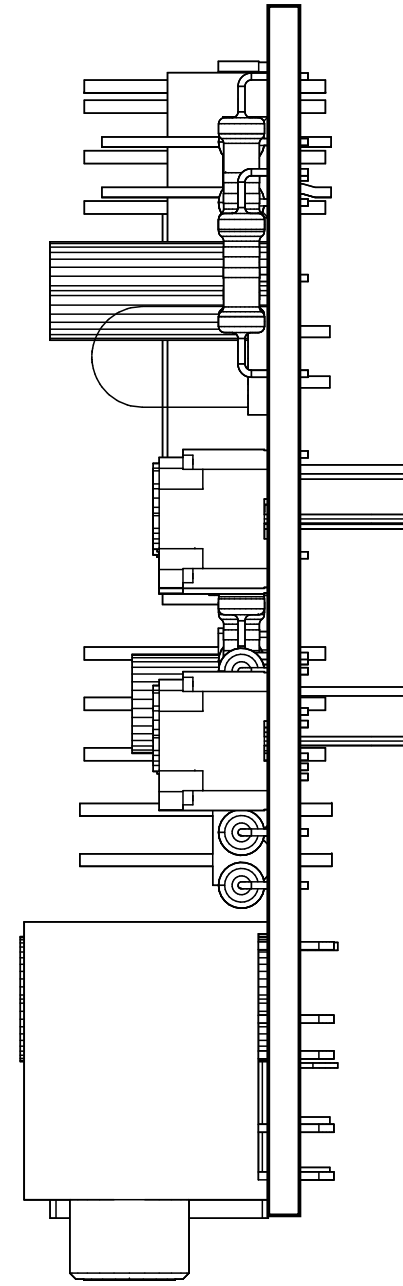
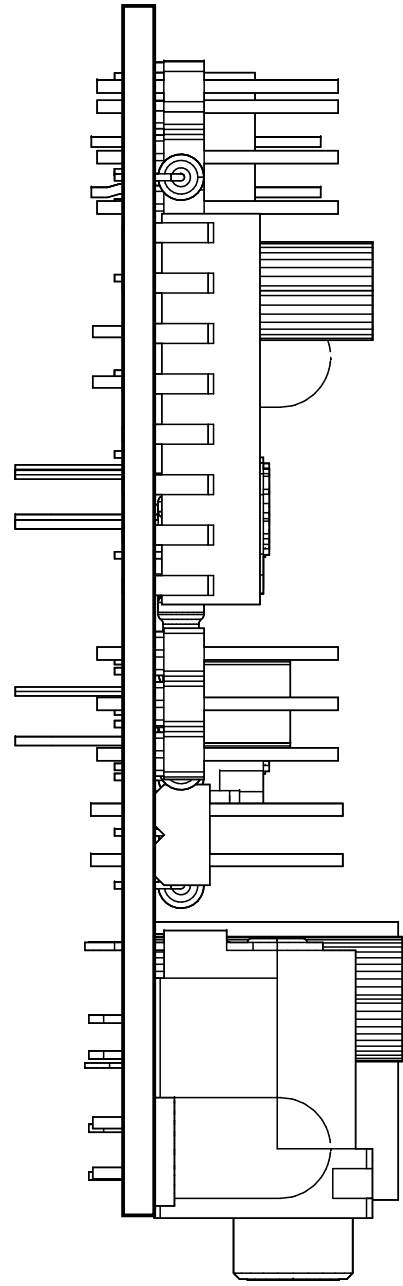


[76.20mm]
3.000in
[2420.00mil]
2.420in



[2130.00mil]
2.13in
[2400.00mil]
2.40in

[Ø110.24mil]
Ø0.110in



- 1 Text element with square border.
- 2 Text element with no border
- 3 Text element with circle border

THE INFORMATION CONTAINED IN THIS DRAWING IS THE SOLE PROPERTY OF . ANY REPRODUCTION IN PART OR AS A WHOLE WITHOUT THE WRITTEN PERMISSION OF IS PROPRIETARY AND CONFIDENTIAL

		UNLESS OTHERWISE SPECIFIED:		NAME	DATE		
		DIMENSIONS ARE IN INCHES		DRAWN	6/8/2018		
		TOLERANCES:		CHECKED		TITLE	
		FRACTIONAL ±		ENG APPR.			
		ANGULAR: MACH ± BEND ±		MFG APPR.			
		TWO PLACE DECIMAL ±		Q.A.			
		THREE PLACE DECIMAL ±		COMMENTS:			
		INTERPRET GEOMETRIC TOLERANCING PER:				SIZE	DWG. NO.
		MATERIAL				SCALE: 1:1	WEIGHT:
NEXT ASSY	USED ON	FINISH				SHEET 1 OF 2	
APPLICATION		DO NOT SCALE DRAWING					

A

B

C

D

E

F

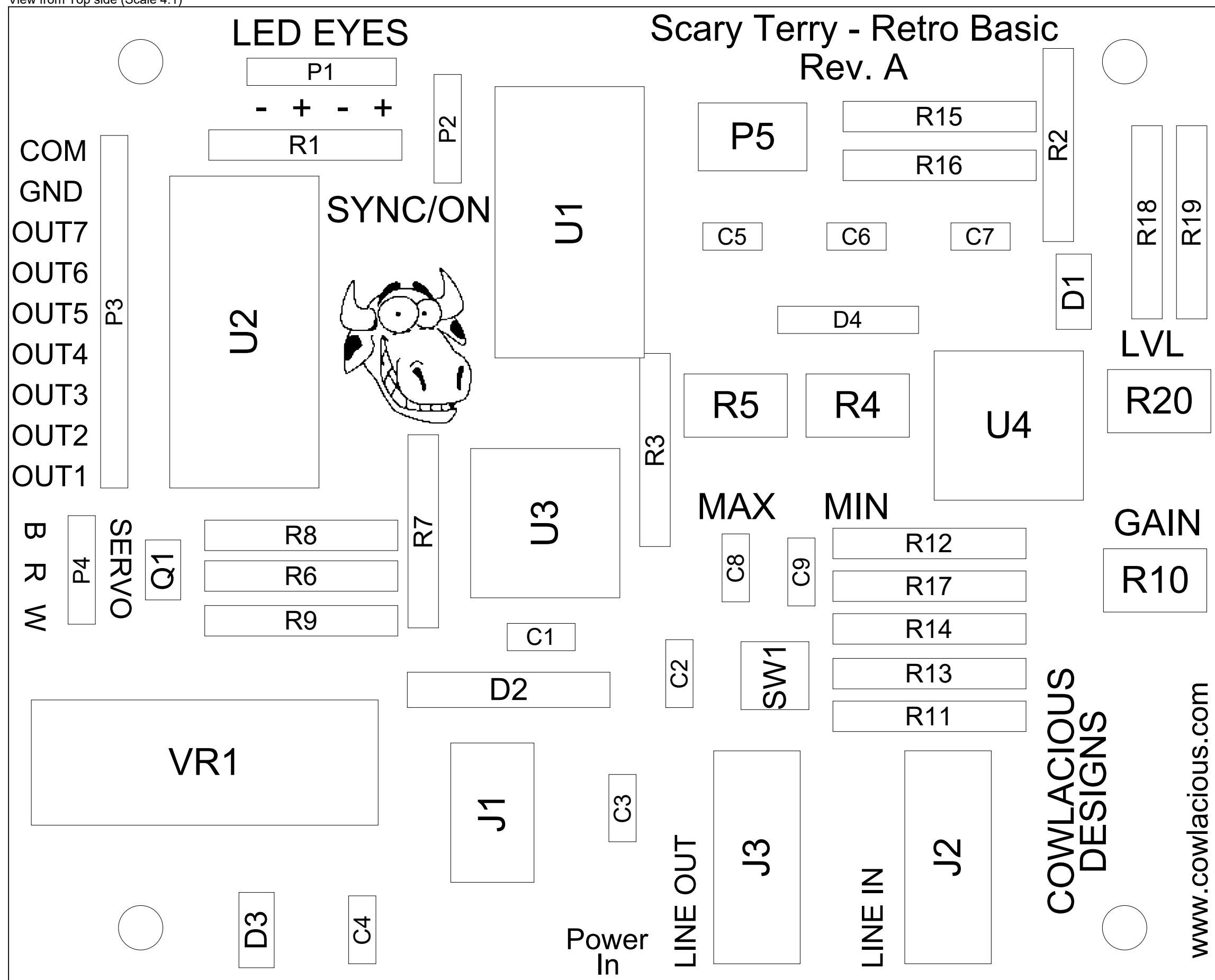
1

2

3

4

View from Top side (Scale 4:1)



**COWLACIOUS
DESIGNS**
www.cowlacious.com

THE INFORMATION CONTAINED IN THIS DRAWING IS THE SOLE PROPERTY OF . ANY REPRODUCTION IN PART OR AS A WHOLE WITHOUT THE WRITTEN PERMISSION OF IS PROPRIETARY AND CONFIDENTIAL

		UNLESS OTHERWISE SPECIFIED:		NAME	DATE			
		DIMENSIONS ARE IN INCHES		DRAWN	6/8/2018			
		TOLERANCES:		CHECKED		TITLE		
		FRACTIONAL ±		ENG APPR.				
		ANGULAR: MACH ± BEND ±		MFG APPR.				
		TWO PLACE DECIMAL ±		Q.A.				
		THREE PLACE DECIMAL ±		COMMENTS:				
		INTERPRET GEOMETRIC TOLERANCING PER:					SIZE	DWG. NO.
		MATERIAL					SCALE: 1:1	WEIGHT:
NEXT ASSY	USED ON	FINISH					SHEET 2 OF 2	
APPLICATION		DO NOT SCALE DRAWING						

Component list

Scary Terry - Retro Basic

Source Data From: ST-Retro_Basic.PrjPcb

Project: ST-Retro_Basic.PrjPcb

Variant: None



Cowlacious Designs

5 Dargan Ct
Columbia SC 29212
775-751-1086

Report Date: 7/21/2018

11:07:48 AM

Print Date: 21-Jul-18

11:15:27 AM

Quantity	Designator	Comment	Description
5	C1, C2, C4, C8, C9	0.1µF ±10% 25V	Capacitor, Ceramic, 0.1" lead spacing
1	C3	16YXJ220MT16.3X11	220µF 16V Aluminum Electrolytic Capacitors Radial, Can 7000 Hrs @ 105°C
1	C5	10uF 16V	Capacitor, Electrolytic
1	C6	4.7uF 16V	Capacitor, Electrolytic
1	C7	2.2uF 16V	Capacitor, Electrolytic
2	D1, D3	LED, Red 5mm	LED, 5mm, Through Hole
1	D2	1N4001	1 Amp General Purpose Rectifier
1	D4	1N914	High Conductance Fast Diode
1	J1	PJ-037AH	Power Barrel Connector Jack 2.10mm ID (0.083"), 5.50mm OD (0.217") Through Hole, Right Angle
2	J2, J3	SJ1-3535NG	3.50mm (0.141", 1/8", Mini Plug) - Headphone Phone Jack Stereo Connector Solder
1	P1	Header 4	Header, 4-Pin
2	P2, P4	Header 3	Breakaway Header, 3-Pin, 0.1" lead spacing
1	P3	Header 9	Breakaway Header, 9-Pin, 0.1" lead spacing
1	P5	Header 3X2	Breakaway Header, 6-Pin (3x2), Dual row, 0.1" lead spacing
1	Q1	2N4401TFR	TRANS NPN 40V 0.6A TO-92
1	R1	330 1/4W	Resistor, Carbon Film 5%
2	R2, R9	680 1/4W	Resistor, Carbon Film 5%
1	R3	220K 1/4W	Resistor, Carbon Film 5%
2	R4, R5	CT6EP503	Potentiometer, 50K Ohms 0.5W, 1/2W PC Pins Through Hole Trimmer Potentiometer Cermet 1 Turn Top Adjustment
5	R6, R8, R16, R18, R19	10K 1/4W	Resistor, Carbon Film 5%
1	R7	4.7K 1/4W	Resistor, Carbon Film 5%
1	R10	CT6EP502	5 kOhms 0.5W, 1/2W PC Pins Through Hole Trimmer Potentiometer Cermet 1 Turn Top Adjustment
2	R11, R13	100K 1/4W	Resistor, Carbon Film 5%, 100 kOhms ±5% 0.1W, 1/10W Chip Resistor 0603 (1608 Metric) Automotive AEC-Q200
1	R12	1K 1/4W	Resistor, Carbon Film 5%
2	R14, R17	47K 1/4W	Resistor, Carbon Film 5%
1	R15	2.2K 1/4W	Resistor, Carbon Film 5%
1	R20	CT6EP102	1 kOhms 0.5W, 1/2W PC Pins Through Hole Trimmer Potentiometer Cermet 1 Turn Top Adjustment
1	SW1	Header 2X2	Breakaway Header, 4-Pin (2x2), Dual row, 0.1" lead spacing
1	U1	MC74HC4066ADR2	Quad Analog Switch/Multiplexer/Demultiplexer
1	U2	ULN2003A	Seven Darlington Array, 50 V, 0.5 A, -40 to 85 degC, 16-Pin DIP, RoHS, Tube
1	U3	LM555CMX	555 Timer
1	U4	Op Amp, RC4558	General Purpose Amplifier 2 Circuit 8-PDIP
1	VR1	7806	Linear Voltage Regulator IC Positive Fixed 1 Output TO-263-3Alternatives: LM7805, L4941BV, LM2940CT-5.0/NOPB